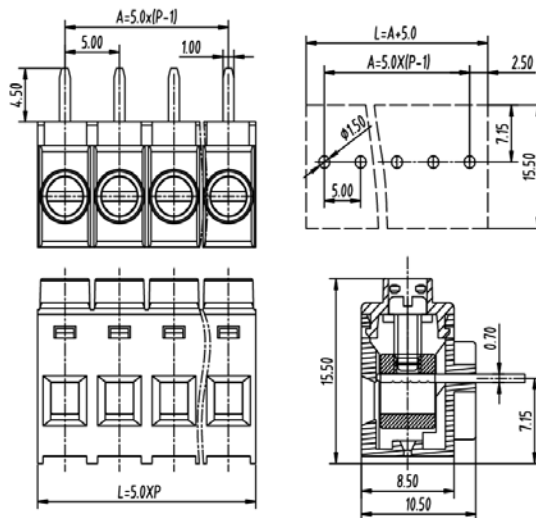


PCB terminal block — TL series (Raising Clamp)— TL225R



PCB Layout

图 示 (Pic. shown) : TL225R-04P-M17S

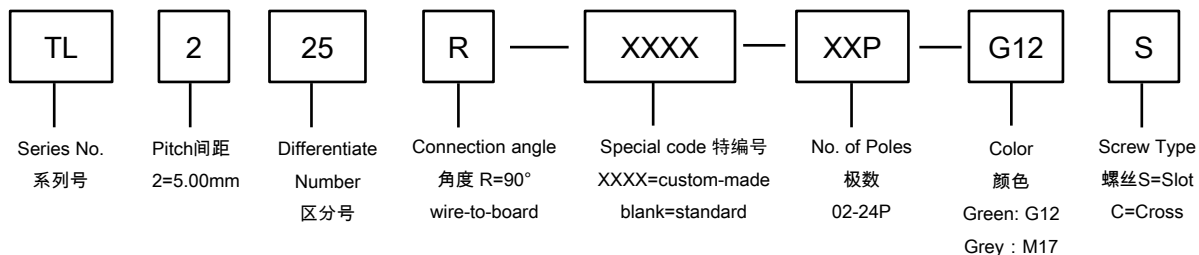
General:

- PCB terminal block Rated : 320V,24A , 2.5mm²
- Single row, 5.00mm pitch , 02-24 Pole
- Wiring orientation: 90°(wire-to-board)
- Screw clamp unit: M2.5, 0.4Nm Max

认证 (Approval) :

| 技术参数 Technical Data | UL standard | | | IEC standard | | |
|--|---|----|------|---|---------|--------|
| | UL Application group | | | IEC过电压别/污染等级(IEC overvoltage category /pollution degree) | | |
| UL应用组别(UL Application group) | UL Application group | | | IEC过电压别/污染等级(IEC overvoltage category /pollution degree) | | |
| IEC过电压别/污染等级(IEC overvoltage category /pollution degree) | B | C | D | III / 3 | III / 2 | II / 2 |
| 额定电压(Rated voltage) | 300V | -- | 300V | -- | 320V | -- |
| 额定电流(Rated current) | 16A | -- | 10A | -- | 24A | -- |
| 额定连接容量(Rated connection capacity) | 28-12AWG Sol&Str | | | 0.2~2.5mm ² Sol&Str,4.0mm ² Sol Max | | |
| 绝缘材料(Insulation Material) | | | | PA66 UL94 V-0 | | |
| 电流承载部件材料和镀层(Material & Plating of Current carrier) | | | | Copper alloy , Tin plated | | |
| 接线弹片材料(Material of Clamp spring) | | | | -- | | |
| 绝缘电阻(Insulation Resistance) | | | | 500MΩ or more at DC500V | | |
| 耐电压(1分钟)(Withstanding Voltage/1Min) | | | | 2200V | | |
| 额定冲击电压(Rated surge voltage) | | | | -- | | |
| 接线螺丝(Wire clamp unit Screw) , 最大扭矩(torque Max.) | | | | M2.5 , 0.4Nm Max | | |
| 固定螺丝(Mounting Screw) , 扭矩(torque) | | | | -- | | |
| 剥线长度(Wire stripping length) | | | | 7.0mm | | |
| 使用温度(Operating temperature) | | | | -40°C up to +105°C | | |
| 焊接方式(Soldering recommend) | Wave soldering ,260°C 5S Max (Single Wave) , 260°C 10S Max(Double Wave) | | | | | |

订购方式(How to order)



Web:www.china-tianli.com TEL:+86-574-6347-9600,6389-6436 Mail : sale@china-tianli.cn
 地址:中国浙江省宁波杭州湾新区庵东工业园区纬三路138号
 ADD : 138 , Weisan Rd.,Andong Development Zone, Hangzhou Bay Area, Ningbo, Zhejiang, China