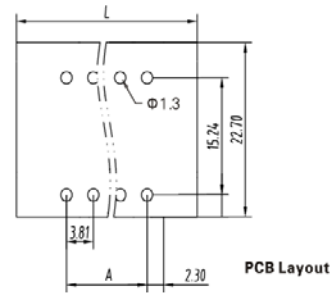
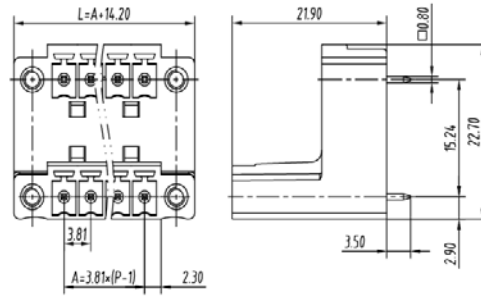
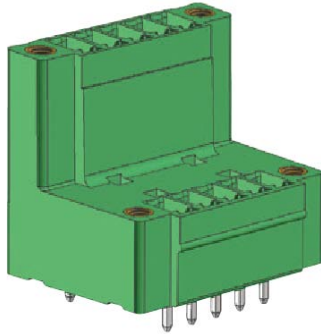


PCB Connector — TLP series (Pin header)— TLPHDW-105V



■ 图示(Pic. shown) : TLPHDW-105V-08P-G12

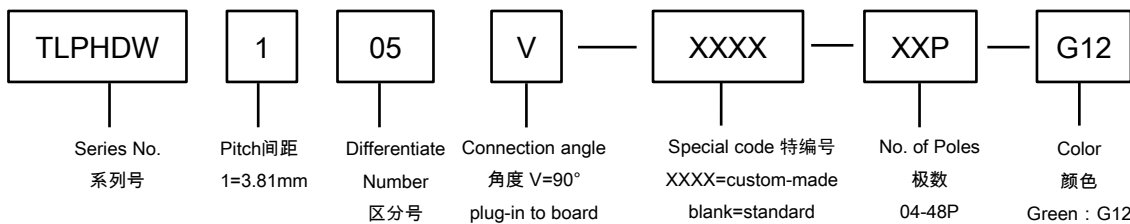
| | |
|----------|--------------------------------------|
| General. | PCB Connector Rated : 160V,10A |
| | Single row, 3.81mm pitch, 04-48 Pole |
| | Orientation:90°(plug-in to board) |

认证 (Approval) :



| 技术参数 Technical Data | UL standard | | | IEC standard | | |
|--|---|----|------|--|---------|--------|
| | UL Application group | | | IEC过电压别/污染等级(IEC overvoltage category /pollution degree) | | |
| UL应用组别(UL Application group) | UL Application group | | | IEC过电压别/污染等级(IEC overvoltage category /pollution degree) | | |
| IEC过电压别/污染等级(IEC overvoltage category /pollution degree) | B | C | D | III / 3 | III / 2 | II / 2 |
| 额定电压(Rated voltage) | 300V | -- | 300V | -- | 160V | -- |
| 额定电流(Rated current) | 10A | -- | 10A | -- | 10A | -- |
| 额定连接容量(Rated connection capacity) | -- | | | -- | | |
| 绝缘材料(Insulation Material) | | | | PA66 UL94 V-0 | | |
| 电流承载部件材料和镀层(Material & Plating of Current carrier) | | | | Copper alloy , Tin plated | | |
| 接线弹片材料(Material of Clamp spring) | | | | -- | | |
| 绝缘电阻(Insulation Resistance) | | | | 500MΩ or more at DC500V | | |
| 耐电压(1分钟)(Withstanding Voltage/1Min) | | | | 2000V | | |
| 额定冲击电压(Rated surge voltage) | | | | -- | | |
| 接线螺丝(Wire clamp unit Screw), 最大扭矩(torque Max.) | | | | -- | | |
| 固定螺母(Mounting Nut), 扭矩(torque) | | | | M2.5, 0.25Nm Max | | |
| 剥线长度(Wire stripping length) | | | | -- | | |
| 使用温度(Operating temperature) | | | | -40°C up to +105°C | | |
| 焊接方式(Soldering recommend) | Wave soldering ,260°C 5S Max (Single Wave) , 260°C 10S Max(Double Wave) | | | | | |

■ 订购方式(How to order)



Web:www.china-tianli.com TEL:+86-574-6347-9600,6389-6436 Mail : sale@china-tianli.cn
地址:中国浙江省宁波杭州湾新区庵东工业园区纬三路138号
ADD : 138 , Weisan Rd.,Andong Development Zone, Hangzhou Bay Area, Ningbo, Zhejiang, China

■ 编码片 Coding key



P/N:
TLPCK-001-S

■ 插头 (Female Connector) — single row



P/N : TLPSW-100V
Wiring orientation :
180°(wire to plug-in)
Rated : 150V,10A , 1.5mm²
Screw clamp unit: M2.0 , 0.2Nm
With screw flange



P/N : TLPSW-100R
Wiring orientation :
90°(wire to plug-in)
Rated : 160V,10A , 1.5mm²
Screw clamp unit: M2.0 , 0.2Nm
With screw flange



P/N : TLPSW-100RL
Wiring orientation :
270°(wire to plug-in)
Rated : 160V,10A , 1.5mm²
Screw clamp unit: M2.0 , 0.2Nm
With screw flange



P/N : TLPSW-101V
Wiring orientation :
180°(wire to plug-in)
Rated : 160V,10A , 1.5mm²
Spring clamp unit.
With screw flange