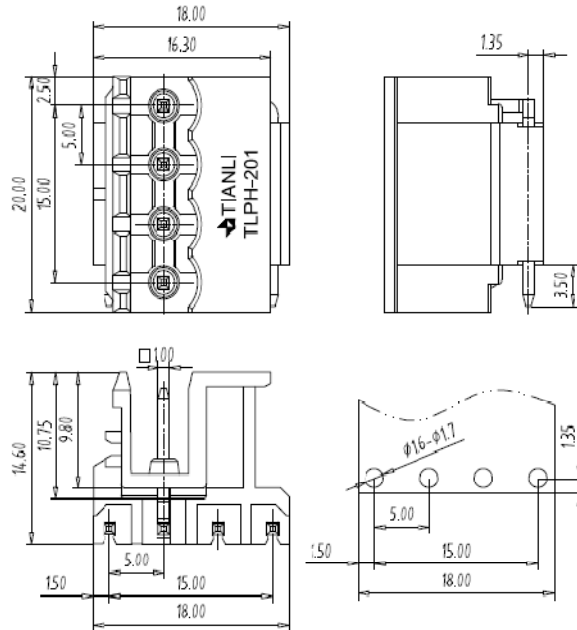


PCB Connector — TLP series (Pin header)— TLPH-201RL



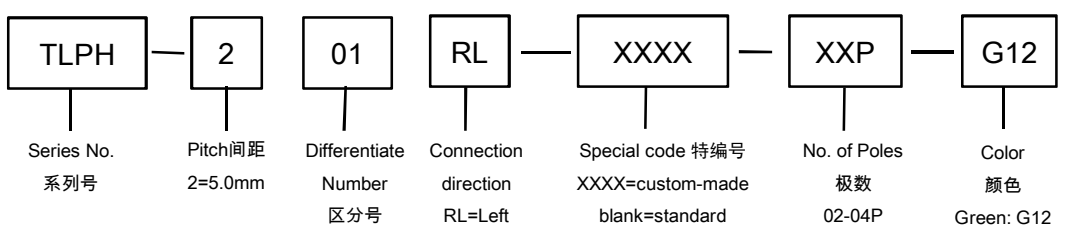
图示(Pic. shown) : TLPH-201RL-04P-G12

General. PCB Connector Rated : 320V,20A ,
Single row , 5.0mm pitch , 02-04 Pole
Orientation: Left(Plug in to board)

认证 (Approval) :

技术参数 Technical Data	UL standard			IEC standard		
UL应用组别(UL Application group)	UL Application group			IEC过电压别/污染等级(IEC overvoltage category /pollution degree)		
IEC过电压别/污染等级(IEC overvoltage category /pollution degree)	B	C	D	III / 3	III / 2	II / 2
额定电压(Rated voltage)	300V	--	300V	--	320V	--
额定电流(Rated current)	16A	--	10A	--	20A	--
额定连接容量(Rated connection capacity)	--			--		
绝缘材料(Insulation Material)	PA66 UL94 V-0					
电流承载部件材料和镀层 (Material & Plating of Current carrier)	Copper alloy , Tin plated					
接线弹片材料(Material of Clamp spring)	--					
绝缘电阻(Insulation Resistance)	500MΩ or more at DC500V					
耐电压(1分钟)(Withstanding Voltage/1Min)	2500V					
额定冲击电压(Rated surge voltage)	--					
接线螺丝(Wire clamp unit Screw) , 最大扭矩(torque Max.)	--					
固定螺丝(Mounting Screw) , 扭矩(torque)	--					
剥线长度(Wire stripping length)	--					
使用温度(Operating temperature)	-40°C up to +105°C					
焊接方式(Soldering recommend)	--					

订购方式(How to order)



■ 编码片 Coding key



P/N :
TLPCK-003-S

■ 插头 (Female Connector) — single row



P/N : TLPS-200V
Wiring orientation :
180°(wire to plug-in)
Rated : 320V,20A , 2.5mm²
Screw clamp unit: M3.0 , 0.5Nm

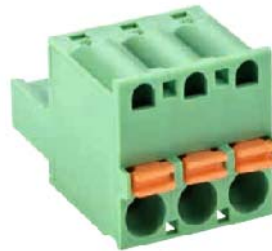


P/N : TLPS-200R
Wiring orientation :
180°(wire to plug-in)
Rated : 320V,20A , 2.5mm²
Screw clamp unit: M3.0 , 0.5Nm

■ 插头 (Female Connector) — single row



P/N : TLPS-200RL
Wiring orientation :
270°(wire to plug-in)
Rated : 320V,20A , 2.5mm²
Screw clamp unit: M3.0 , 0.5Nm



P/N : TLPS-201V
Wiring orientation :
180°(wire to plug-in)
Rated : 320V,20A , 2.5mm²
Spring clamp unit

■ 插头 (Female Connector) — single row



P/N : TLPS-207
Wiring orientation :
180°(wire to plug-in)
Rated : 320V,20A , 2.5mm²
Screw clamp unit: M3.0 , 0.6Nm