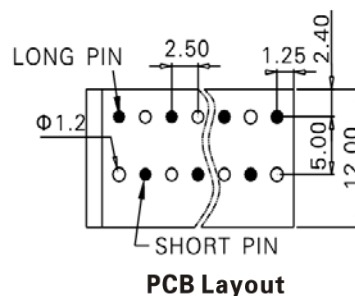
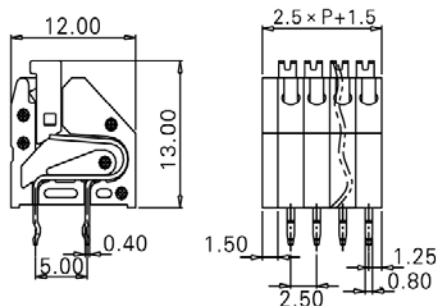


PCB terminal block — TLM series (Screwless Type) — TLM-250C



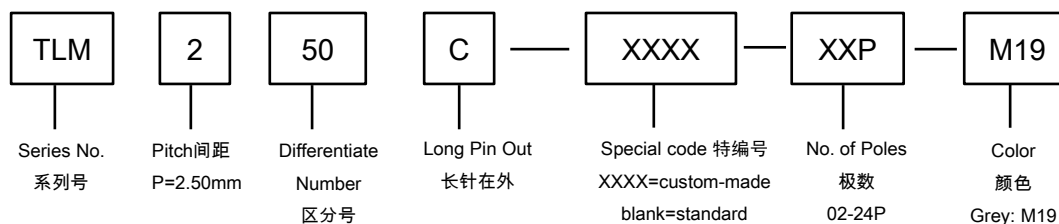
■ 图示(Pic. shown) : TLM-250C-12P-M19

| | |
|----------|---|
| General. | PCB terminal block Rated : 250V,2A , 0.5mm ² |
| | Single row , 2.50mm pitch , 02-24 Pole |
| | Wiring orientation: 135°(wire-to-board) |
| | Screwless Type |

认证 (Approval) :

| ■ 技术参数 Technical Data | UL standard | | | IEC standard | | |
|--|---|----------------------|------|---------------------------|--|--------|
| | UL应用组别(UL Application group) | UL Application group | | | IEC过电压别/污染等级(IEC overvoltage category /pollution degree) | |
| IEC过电压别/污染等级(IEC overvoltage category /pollution degree) | B | C | D | III / 3 | III / 2 | II / 2 |
| 额定电压(Rated voltage) | 250V | -- | 250V | -- | 250V | -- |
| 额定电流(Rated current) | 2A | -- | 2A | -- | 2A | -- |
| 额定连接容量(Rated connection capacity) | 20AWG Sol&Str | | | 0.2-0.5mm ² | | |
| 绝缘材料(Insulation Material) | | | | PA66 UL94 V-0 | | |
| 电流承载部件材料和镀层(Material & Plating of Current carrier) | | | | Copper alloy , Tin plated | | |
| 接线弹片材料(Material of Clamp spring) | | | | -- | | |
| 绝缘电阻(Insulation Resistance) | | | | 500MΩ or more at DC500V | | |
| 耐电压(1分钟)(Withstanding Voltage/1Min) | | | | 1500V | | |
| 额定冲击电压(Rated surge voltage) | | | | -- | | |
| 接线螺丝(Wire clamp unit Screw) , 最大扭矩(torque Max.) | | | | -- | | |
| 固定螺丝(Mounting Screw) , 扭矩(torque) | | | | -- | | |
| 剥线长度(Wire stripping length) | | | | 9.0mm | | |
| 使用温度(Operating temperature) | | | | -40°C up to +105°C | | |
| 焊接方式(Soldering recommend) | Wave soldering ,260°C 5S Max (Single Wave) , 260°C 10S Max(Double Wave) | | | | | |

■ 订购方式(How to order)



Web:www.china-tianli.com TEL:+86-574-6347-9600,6389-6436 Mail : sale@china-tianli.cn
地址:中国浙江省宁波杭州湾新区庵东工业园区纬三路138号
ADD : 138 , Weisan Rd.,Andong Development Zone, Hangzhou Bay Area, Ningbo, Zhejiang, China