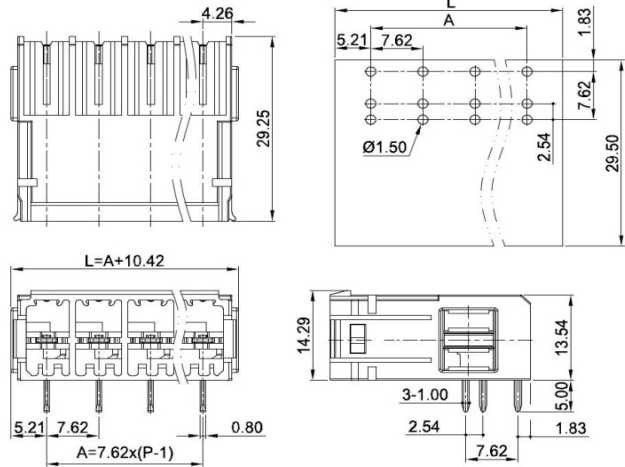


PCB Connector — TLP series (Pin header)— TLPHC-501R



■ 图示(Pic. shown) : TLPHC-501R-03P-G12

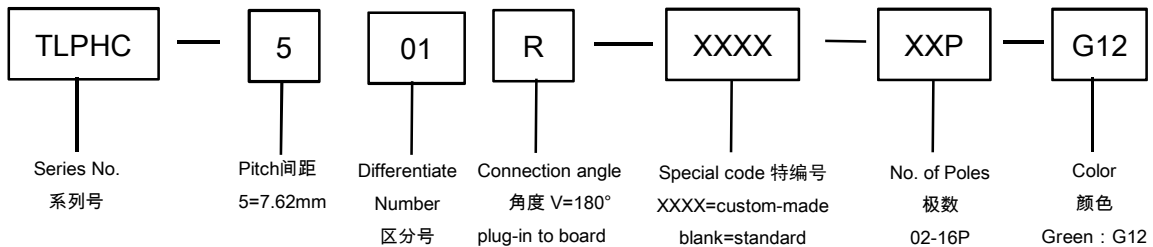
General:
PCB Connector Rated : 630V,41A
Single row , 7.62mm pitch , 02-16 Pole
Orientation: 180°(plug-in to board)

认证 (Approval) :



技术参数 Technical Data	UL standard			IEC standard		
UL应用组别(UL Application group)	UL Application group			IEC过电压别/污染等级(IEC overvoltage category /pollution degree)		
IEC过电压别/污染等级(IEC overvoltage category /pollution degree)	B	C	D	III / 3	III / 2	II / 2
额定电压(Rated voltage)	300V	300V	600V	630V	630V	1000V
额定电流(Rated current)	41A	41A	5A	41A	41A	41A
额定连接容量(Rated connection capacity)	--			--		
绝缘材料(Insulation Material)	PA66 UL94 V-0					
电流承载部件材料和镀层(Material & Plating of Current carrier)	Copper alloy , Tin plated					
接线弹片材料(Material of Clamp spring)	--					
绝缘电阻(Insulation Resistance)	500MΩ or more at DC500V					
耐电压(1分钟)(Withstanding Voltage/1Min)	3300 V					
额定冲击电压(Rated surge voltage)	6000 V					
接线螺丝(Wire clamp unit Screw) , 最大扭矩(torque Max.)	--					
固定螺母(Mounting Nut) , 扭矩(torque)	--					
剥线长度(Wire stripping length)	--					
使用温度(Operating temperature)	-40°C up to +115°C					
焊接方式(Soldering recommend)	Wave soldering ,260°C 5S Max (Single Wave) , 260°C 10S Max(Double Wave)					

■ 订购方式(How to order)



■ 编码片 Coding key



P/N:
TLPCK-004-S

■ 插头 (Female Connector) — single row



P/N : TLPS-501
Wiring orientation :
180°(wire to plug-in)
Rated : 1000V,41A , 6.0mm²
Screw clamp unit: M3 , 0.8N.m