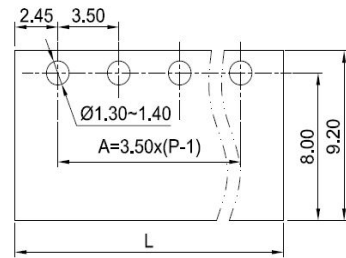
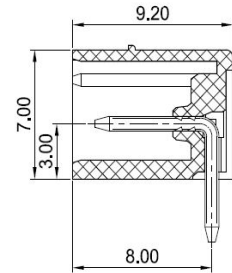
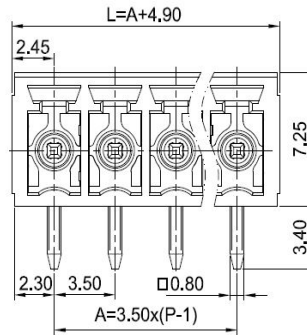


PCB Connector — TLP series ( Pin header ) — TLPHC-001R-1112



PCB LAYOUT



■ 图示(Pic. shown) : TLPHC-001R-1112-07P-G12

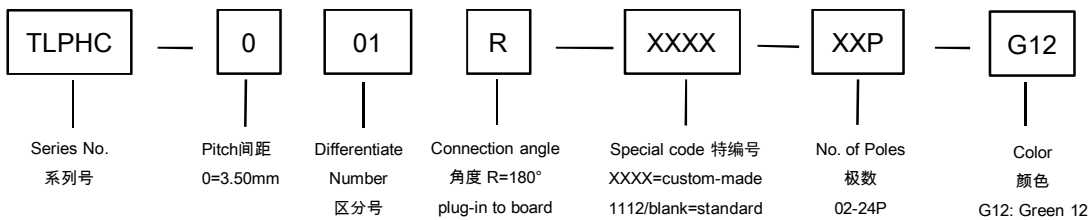
General.	PCB Connector Rated : 160V,10A
	Single row , 3.50mm pitch , 02-24 Pole
	Orientation:180°(plug-in to board)

认证 ( Approval ) :



技术参数 Technical Data	UL standard			IEC standard		
	UL Application group			IEC过电压别/污染等级(IEC overvoltage category /pollution degree)		
UL应用组别(UL Application group)	B	C	D	III / 3	III / 2	II / 2
IEC过电压别/污染等级(IEC overvoltage category /pollution degree)				160V	160V	320V
额定电压(Rated voltage)	300V	--	300V	10A	10A	10A
额定电流(Rated current)	13A	--	10A			
额定连接容量(Rated connection capacity)		--				
绝缘材料(Insulation Material)	PA66 UL94V-0					
电流承载部件材料和镀层( Material & Plating of Current carrier )	Copper alloy , Tin plated					
接线弹片材料(Material of Clamp spring )	--					
绝缘电阻(Insulation Resistance)	500MΩ or more at DC500V					
耐电压(1分钟)(Withstanding Voltage/1Min)	2000V					
额定冲击电压(Rated surge voltage)	2500V					
接线螺丝(Wire clamp unit Screw) , 最大扭矩( torque Max. )	--					
固定螺丝(Mounting Screw) , 扭矩(torque)	--					
剥线长度(Wire stripping length)	--					
使用温度(Operating temperature)	-40°C up to +105°C					
焊接方式(Soldering recommend)	Wave soldering ,260°C 5S Max (Single Wave) , 260°C 10S Max(Double Wave)					

■ 订购方式(How to order)



## ■ 编码片 Coding key



P/N:  
TLPCK-001-S

## ■ 插头 ( Female Connector ) — single row



P/N : TLPS-001V  
Wiring orientation :  
180°(wire to plug-in )  
Rated : 150V,10A , 1.5mm<sup>2</sup>  
Screw clamp unit: M2 , 0.2N·m



P/N : TLPS-001R  
Wiring orientation :  
90°(wire to plug-in )  
Rated : 320V,10A , 1.5mm<sup>2</sup>  
Screw clamp unit: M2 , 0.2N·m

## ■ 插头 ( Female Connector ) — single row



P/N : TLPS-001RL  
Wiring orientation :  
90°(wire to plug-in )  
Rated : 320V,10A , 1.5mm<sup>2</sup>  
Screw clamp unit: M2 , 0.2N·m



P/N : TLPS-002V  
Wiring orientation :  
180°(wire to plug-in )  
Rated : 320V,10A , 1.5mm<sup>2</sup>  
Spring clamp unit.

## ■ 插头 ( Female Connector ) — single row



P/N : TLPS-007  
Wiring orientation :  
180°(wire to plug-in )  
Rated : 160V,10A , 1.5mm<sup>2</sup>  
Spring clamp unit.



P/N : TLPS-009V  
Wiring orientation :  
90°(plug-in to board)  
Rated : 320V,10A

## ■ 插头 ( Female Connector ) — single row



P/N : TLPS-009R  
Wiring orientation :  
180°(plug-in to board)  
Rated : 320V,10A



P/N : TLPS-011  
Wiring orientation :  
180°(wire to plug-in )  
Rated : 320V,10A , 1.5mm<sup>2</sup>  
Screw clamp unit: M2 , 0.2N·m