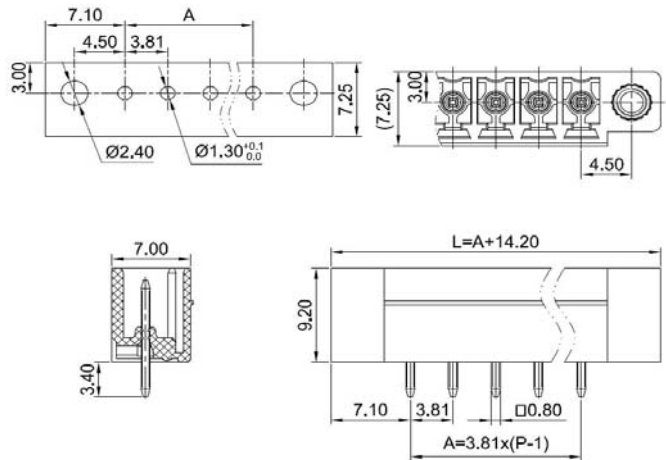


PCB Connector — TLP series ( Pin header )— TLPHW-100V-1112



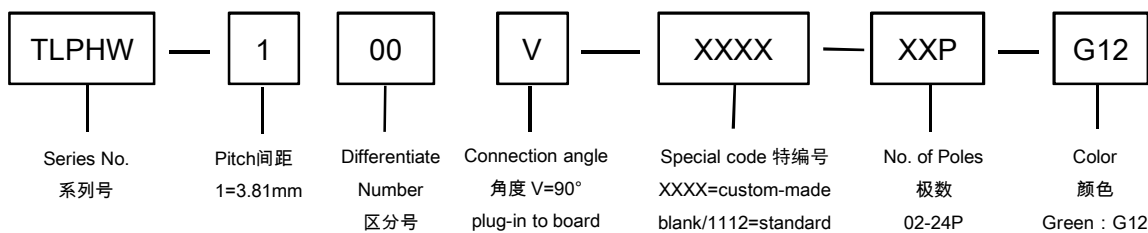
■ 图示(Pic. shown) : TLPHW-100V-1112-06P-G12

General.	PCB Connector Rated : 150V,10A
	Single row , 3.81mm pitch , 02-24 Pole
	Orientation:90°(plug-in to board)

认证 ( Approval ) :

技术参数 Technical Data	UL standard			IEC standard		
UL应用组别(UL Application group)	UL Application group			IEC过电压别/污染等级(IEC overvoltage category /pollution degree)		
IEC过电压别/污染等级(IEC overvoltage category /pollution degree)	B	C	D	III / 3	III / 2	II / 2
额定电压(Rated voltage)	300V	--	300V	160V	150V	320V
额定电流(Rated current)	13A	--	10A	10A	10A	10A
额定连接容量(Rated connection capacity)	--			--		
绝缘材料(Insulation Material)				PA66 UL94 V-0		
电流承载部件材料和镀层( Material & Plating of Current carrier )				Copper alloy , Tin plated		
接线弹片材料(Material of Clamp spring )				--		
绝缘电阻(Insulation Resistance)				500MΩ or more at DC500V		
耐电压(1分钟)(Withstanding Voltage/1Min)				2000V		
额定冲击电压(Rated surge voltage)				2.5 KV		
接线螺丝(Wire clamp unit Screw) , 最大扭矩( torque Max. )				--		
固定螺母(Mounting Nut) , 扭矩(torque)				M2.5 , 0.2N·m		
剥线长度(Wire stripping length)				--		
使用温度(Operating temperature)				-40°C up to +105°C		
焊接方式(Soldering recommend)	Wave soldering ,260°C 5S Max (Single Wave)					

■ 订购方式(How to order)



Web:www.china-tianli.com TEL:+86-574-6347-9600,6389-6436 Mail : sale@china-tianli.cn  
地址:中国浙江省宁波杭州湾新区庵东工业园区纬三路138号  
ADD : 138 , Weisan Rd., Andong Development Zone, Hangzhou Bay Area, Ningbo, Zhejiang, China

■ 编码片 Coding key

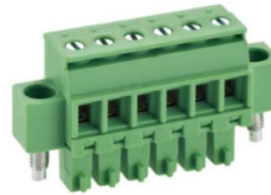


P/N :  
TLPCK-001-S

■ 插头 ( Female Connector ) — single row



P/N : TLPSW-100V  
Wiring orientation :  
180°(wire to plug-in )  
Rated : 150V,10A , 1.5mm<sup>2</sup>  
Screw clamp unit: M2 , 0.2N·m



P/N : TLPSW-100R  
Wiring orientation :  
90°(wire to plug-in )  
Rated : 320V,10A , 1.5mm<sup>2</sup>  
Screw clamp unit: M2 , 0.2N·m

■ 插头 ( Female Connector ) — single row



P/N : TLPSW-100RL  
Wiring orientation :  
270°(wire to plug-in )  
Rated : 320V,10A , 1.5mm<sup>2</sup>  
Screw clamp unit: M2 , 0.2N·m



P/N : TLPSW-101V  
Wiring orientation :  
180°(wire to plug-in )  
Rated : 320V,10A , 1.5mm<sup>2</sup>  
Spring clamp unit.

■ 插头 ( Female Connector ) — single row



P/N : TLPSW-107  
Wiring orientation :  
180°(wire to plug-in )  
Rated : 320V,10A , 1.5mm<sup>2</sup>  
Spring clamp unit.



P/N : TLPSW-111  
Wiring orientation :  
180°(wire to plug-in )  
Rated : 320V,10A , 1.5mm<sup>2</sup>  
Screw clamp unit: M2 , 0.2N·m