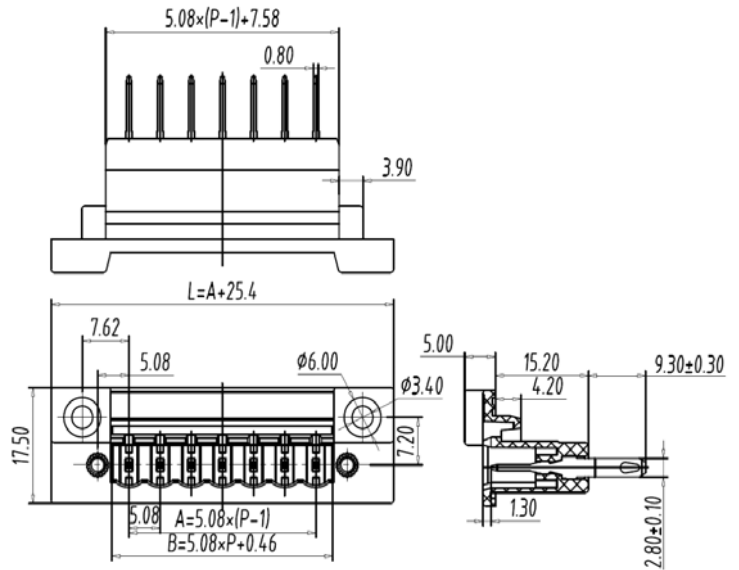
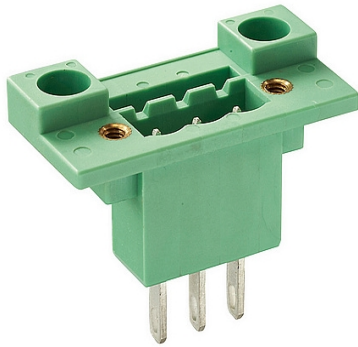


PCB Connector — TLP series (Pin header)— TLPHW-306



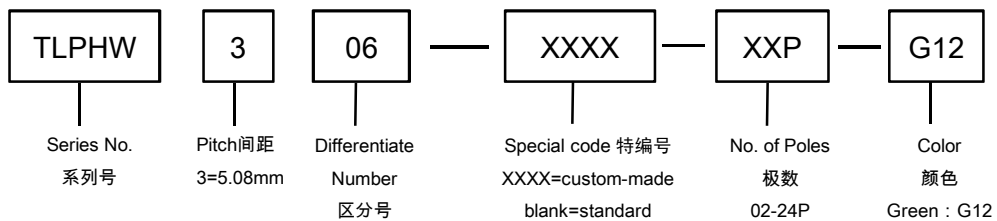
图示(Pic. shown) : TLPHW-306-03P-G12

General:
 PCB Connector Rated : 320V, 18A
 Single row , 5.08mm pitch , 02-24 Pole
 Orientation: 90°(plug-in to board)

认证 (Approval)

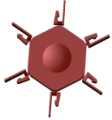
技术参数 Technical Data	UL standard			IEC standard		
UL应用组别(UL Application group)	UL Application group			IEC过电压别/污染等级(IEC overvoltage category /pollution degree)		
IEC过电压别/污染等级(IEC overvoltage category /pollution degree)	B	C	D	III / 3	III / 2	II / 2
额定电压(Rated voltage)	300V	--	300V	320V	320V	630V
额定电流(Rated current)	16A	--	10A	18A	18A	18A
额定连接容量(Rated connection capacity)	--			--		
绝缘材料(Insulation Material)	PA66 UL94 V-0					
电流承载部件材料和镀层(Material & Plating of Current carrier)	Copper alloy , Tin plated					
接线弹片材料(Material of Clamp spring)	--					
绝缘电阻(Insulation Resistance)	500MΩ or more at DC500V					
耐电压(1分钟)(Withstanding Voltage/1Min)	2000V					
额定冲击电压(Rated surge voltage)	--					
接线螺丝(Wire clamp unit Screw) , 最大扭矩(torque Max.)	--					
固定螺母(Mounting Nut) , 扭矩(torque)	M2.5 , 0.25Nm Max					
剥线长度(Wire stripping length)	--					
使用温度(Operating temperature)	-40°C up to +105°C					
焊接方式(Soldering recommend)	Wave soldering ,260°C 5S Max (Single Wave) , 260°C 10S Max(Double Wave)					

订购方式(How to order)



Web: www.china-tianli.com TEL: +86-574-6347-9600, 6389-6436 Mail : sale@china-tianli.cn
 地址: 中国浙江省宁波杭州湾新区庵东工业园区纬三路138号
 ADD : 138 , Weisan Rd., Andong Development Zone, Hangzhou Bay Area, Ningbo, Zhejiang, China

■ 编码片 Coding key



P/N:
TLPCK-003-S

■ 插头 (Female Connector) — single row



P/N : TLPSW-300V
Wiring orientation :
180°(wire to plug-in)
Rated : 320V,20A , 2.5mm²
Screw clamp unit: M3.0 , 0.4Nm
With screw flange



P/N : TLPSW-300R
Wiring orientation :
90°(wire to plug-in)
Rated : 320V,20A , 2.5mm²
Screw clamp unit: M2.5 , 0.4Nm
With screw flange



P/N : TLPSW-300RL
Wiring orientation :
270°(wire to plug-in)
Rated : 320V,20A , 2.5mm²
Screw clamp unit: M2.5 , 0.4Nm
With screw flange



P/N : TLPS-302V
Wiring orientation :
180°(wire to plug-in)
Rated : 320V,12A , 2.5mm²
Spring clamp unit.
With screw flange



P/N : TLPSW-301
Wiring orientation :
180°(wire to plug-in)
Rated : 320V,20A , 2.5mm²
Screw clamp unit: M2.5 , 0.5Nm
With screw flange