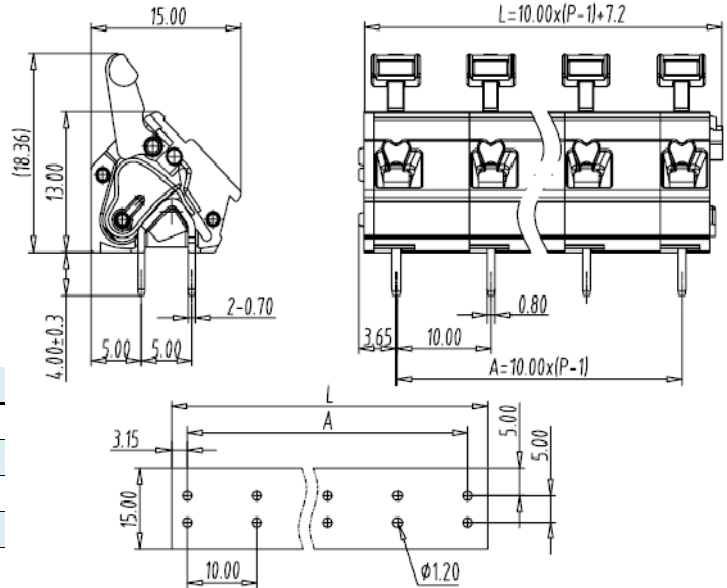


PCB terminal block — TLM series ( Screwless Type ) — TLM-203B-10.0



**图示(Pic. shown) : TLM-203B-10.0-05P-M19**

General:  
 PCB terminal block Rated : 1000V,24A , 0.2~2.5mm<sup>2</sup>  
 Single row , 10.0mm pitch , 02-24 Pole  
 Wiring orientation: 45°(wire to plug-in)  
 Screwless Type

认证 ( Approval )



技术参数 Technical Data	UL standard			IEC standard		
UL应用组别(UL Application group)	UL Application group			IEC过电压别/污染等级(IEC overvoltage category /pollution degree)		
IEC过电压别/污染等级(IEC overvoltage category /pollution degree)	B	C	D	III / 3	III / 2	II / 2
额定电压(Rated voltage)	300V	/	300V	630V	1000V	/
额定电流(Rated current)	16A	/	10A	24A	24A	/
额定连接容量(Rated connection capacity)	28-12AWG Sol&Str			0.2~2.5mm <sup>2</sup> Sol&Str		
绝缘材料(Insulation Material)	PA66 ; UL94-V0					
电流承载部件材料和镀层( Material & Plating of Current carrier )	Copper alloy , Tin plated					
接线弹片材料(Material of Clamp spring )	Stainless Steel					
绝缘电阻(Insulation Resistance)	500MΩ or more at DC500V					
耐电压(1分钟)(Withstanding Voltage/1Min)	AC4200V/Min					
额定冲击电压(Rated surge voltage)	8.0KV					
接线螺丝(Wire clamp unit Screw) , 最大扭矩( torque Max. )	--					
固定螺丝(Mounting Screw) , 扭矩(torque)	--					
剥线长度(Wire stripping length)	6.0mm					
使用温度(Operating temperature)	-40°C up to +115°C					
焊接方式(Soldering recommend)	Wave soldering ,260°C 5S Max (Single Wave) , 260°C 10S Max(Double Wave)					

**订购方式(How to order)**

