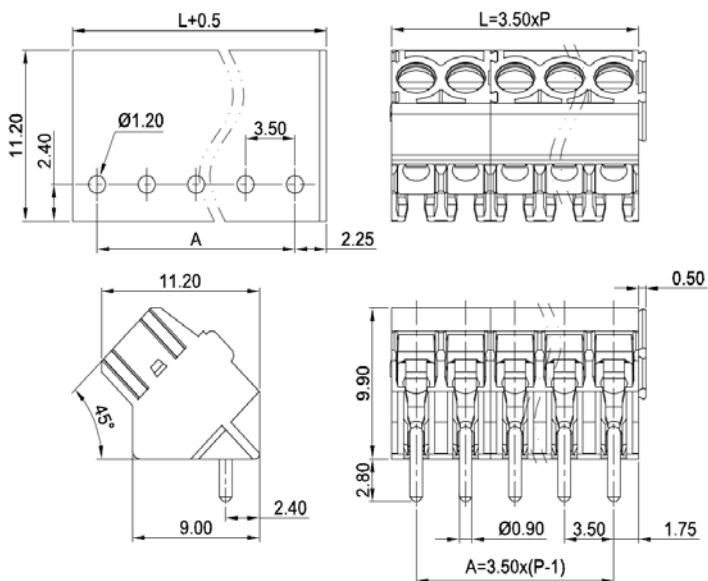
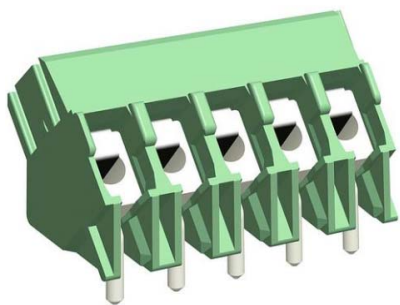


PCB terminal block — TL series ( Wire Protector )— TL012A0



■ 图示(Pic. shown) : TL012A0-05P-G12S

General: PCB terminal block Rated : 160V,13.5A , 1mm<sup>2</sup>  
Single row , 3.50mm pitch , 02-24 Pole  
Connection angle: 45°(wire to board)  
Screw clamp unit: M2 , 0.2N·m

认证 ( Approval ) :

■ 技术参数 Technical Data	UL standard			IEC standard		
	UL Application group			IEC过电压别/污染等级(IEC overvoltage category /pollution degree)		
UL应用组别(UL Application group)	B	C	D	III / 3	III / 2	II / 2
IEC过电压别/污染等级(IEC overvoltage category /pollution degree)				160V	160V	320V
额定电压(Rated voltage)	300V	--	300V	13.5A	13.5A	13.5A
额定电流(Rated current)	10A	--	10A	0.2-1mm <sup>2</sup>		
额定连接容量(Rated connection capacity)	26-18AWG Sol&Str	16AWG Sol		PA66 UL94 V-0		
绝缘材料(Insulation Material)	Copper alloy , Tin plated					
电流承载部件材料和镀层( Material & Plating of Current carrier )	Stainless Steel					
接线弹片材料(Material of Clamp spring )	500MΩ or more at DC500V					
绝缘电阻(Insulation Resistance)	1600V					
耐电压(1分钟)(Withstanding Voltage/1Min)	2500V					
额定冲击电压(Rated surge voltage)	M2 , 0.2N·m					
接线螺丝(Wire clamp unit Screw), 最大扭矩( torque Max. )	--					
固定螺丝(Mounting Screw), 扭矩(torque)	5 mm					
剥线长度(Wire stripping length)	-40°C up to +115°C					
使用温度(Operating temperature)	Wave soldering ,260°C 5S Max (Single Wave) , 260°C 10S Max(Double Wave)					
焊接方式(Soldering recommend)						

■ 订购方式(How to order)

