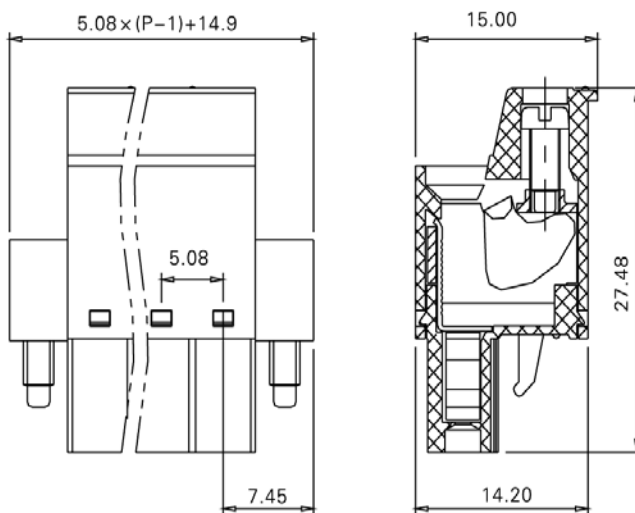


PCB Connector — TLP series (Female Connector)— TLPSW-301



■ 图示(Pic. shown) : TLPSW-301-05P-G12S

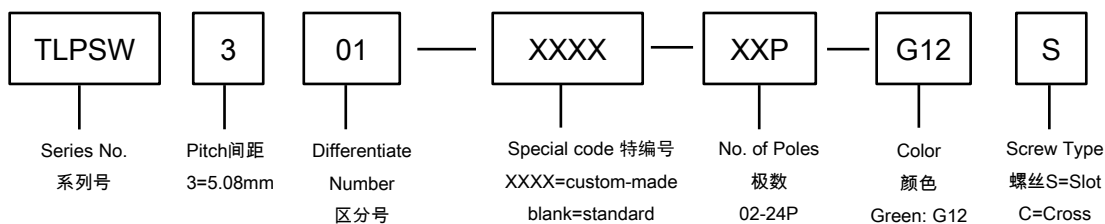
General:	PCB Connector Rated : 320V,20A , 2.5mm ²
	Single row, 5.08mm pitch , 02-24 Pole
	Wiring orientation: 180°(wire to plug-in)
	Screw clamp unit: M2.5, 0.5Nm Max

认证 (Approval) :



■ 技术参数 Technical Data	UL standard			IEC standard		
	UL应用组别(UL Application group)	UL Application group			IEC过电压别/污染等级(IEC overvoltage category /pollution degree)	
IEC过电压别/污染等级(IEC overvoltage category /pollution degree)	B	C	D	III / 3	III / 2	II / 2
额定电压(Rated voltage)	300V	--	300V	--	320V	--
额定电流(Rated current)	16A	--	10A	--	20A	--
额定连接容量(Rated connection capacity)	30-12AWG Sol&Str			0.2~2.5mm ² Sol&Str,4.0mm ² Sol Max		
绝缘材料(Insulation Material)				PA66 UL94 V-0		
电流承载部件材料和镀层(Material & Plating of Current carrier)				Copper alloy , Tin plated		
接线弹片材料(Material of Clamp spring)				--		
绝缘电阻(Insulation Resistance)				500MΩ or more at DC500V		
耐电压(1分钟)(Withstanding Voltage/1Min)				2200V		
额定冲击电压(Rated surge voltage)				--		
接线螺丝(Wire clamp unit Screw), 最大扭矩(torque Max.)				M2.5, 0.5Nm Max		
固定螺丝(Mounting Screw), 扭矩(torque)				M2.5, 0.25Nm Max		
剥线长度(Wire stripping length)				11.0mm		
使用温度(Operating temperature)				-40°C up to +105°C		
焊接方式(Soldering recommend)				--		

■ 订购方式(How to order)



针座 (Pin header) — single row



P/N : TLPHW-300V
Orientation :
90° (plug-in to board)
Rated:320V,20A
With threaded flange



P/N : TLPHW-300R
Orientation :
180° (plug-in to board)
Rated:320V,20A
With threaded flange



P/N : TLPHW-300R-0544
Orientation :
180° (plug-in to board)
Rated:320V,20A
With threaded flange



P/N : TLPHW-306
Orientation :
90° (plug-in to board)
Rated:320V,17.5A
With threaded flange

针座 (Pin header) — dual row in 1 plane



P/N : TLPHDW-300V
Orientation :
90° (plug-in to board)
Rated:320V,17.5A
With threaded flange



P/N : TLPHDW-300R
Orientation :
180° (plug-in to board)
Rated:320V,17.5A
With threaded flange

针座 (Pin header) — dual row staggered



P/N : TLPHDW-303V
Orientation :
90° (plug-in to board)
Rated:320V,17.5A
With threaded flange



P/N : TLPHDW-303R
Orientation :
180° (plug-in to board)
Rated:320V,17.5A
With threaded flange